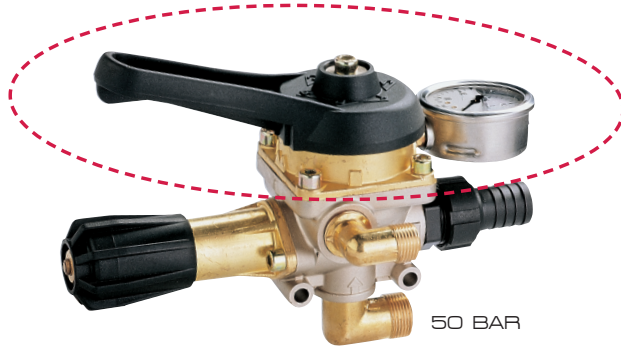




FLUID
SPRAYING
AND
ENGINEERING

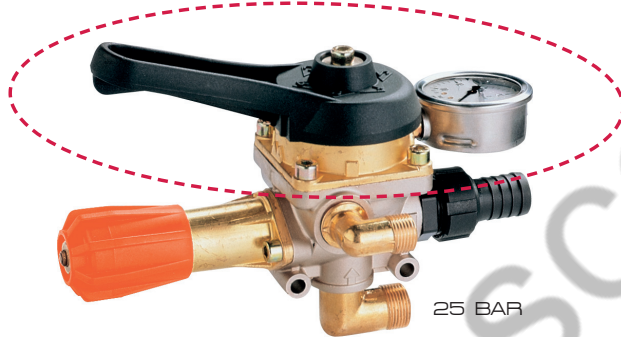
M170 50 BAR - M170 25 BAR

ROTAZIONE 360°
360° ROTATION

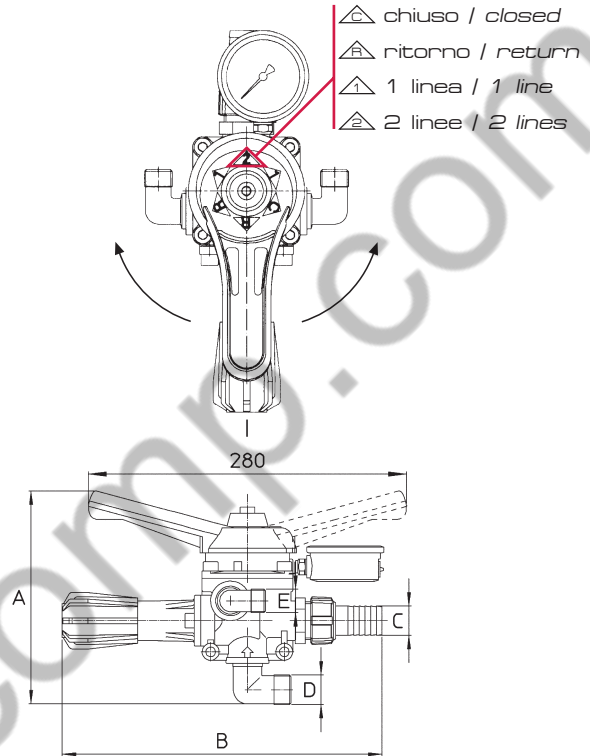


50 BAR

ROTAZIONE 360°
360° ROTATION



25 BAR



					ENTRATA inlet	USCITA G1/2 1/2" BSPM. outlet	SCARICO flow back
VERSIONI models	BAR psi				G3/4F. 3/4" BSPF.		G1M. 1" BSPM.
170.206.1	50 725						
170.206.5							
170.206.5 RG							
170.206.8							
170.206.8 PM							
170.206.8 RG							
170.206.8 RP	25 360						
170.206.24							
170.206.24 NU							
170.206.24 PM							
170.206.24 RG							
170.206.24 RP							
170.206.24 SM							
170.206.24 SR							